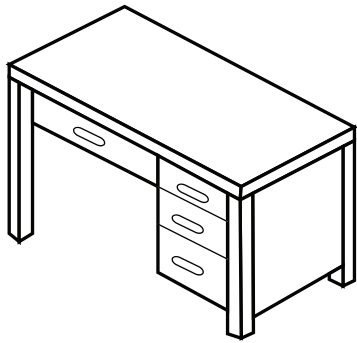


Reading Practice Worksheet

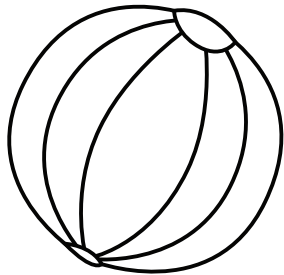


DaycareWorksheets Name _____

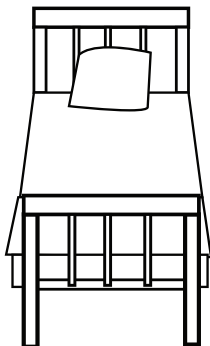
Match the pictures with words.



ball



bed



desk